



US00D797397S

(12) **United States Design Patent**
Donohue

(10) **Patent No.:** **US D797,397 S**

(45) **Date of Patent:** **** Sep. 12, 2017**

(54) **STANCHION FOR VEHICLE LOADING**

(71) Applicant: **James P Donohue**, Dayton, OH (US)

(72) Inventor: **James P Donohue**, Dayton, OH (US)

(**) Term: **14 Years**

(21) Appl. No.: **29/516,019**

(22) Filed: **Jan. 28, 2015**

(51) **LOC (10) Cl.** **12-05**

(52) **U.S. Cl.**
USPC **D34/35**

(58) **Field of Classification Search**
USPC D34/28, 33, 35; D12/400, 106, 406, 408,
D12/162, 223, 159, 160
CPC B60P 1/6454; B60P 1/48; B60P 1/4427;
B60P 3/122; B60P 3/107; B60D 1/065;
B60D 1/00; B60D 1/60; B60D 1/06
See application file for complete search history.

(56) **References Cited**

U.S. PATENT DOCUMENTS

3,733,051	A *	5/1973	Bollinger	B60S 9/04 254/94
D300,815	S *	4/1989	Chambers	D12/162
5,511,929	A *	4/1996	Loftus	B60P 1/5423 212/180
D373,886	S *	9/1996	McCloud, Jr.	D34/33
D390,094	S *	2/1998	Pamplin	D12/400
D396,669	S *	8/1998	Wilson	D12/106
6,155,587	A *	12/2000	Milazzo	B60D 1/06 280/457
7,392,975	B2 *	7/2008	Nespor	B60P 3/07 242/397
D622,472	S *	8/2010	Hancock	D34/33
7,997,850	B2 *	8/2011	Hutchison	B60P 3/07 414/478
D664,322	S *	7/2012	Peng	D34/33

8,985,934	B1 *	3/2015	Jennison	E02F 3/962 37/403
D741,039	S *	10/2015	Huang	D34/33
D744,379	S *	12/2015	Penner	D12/106
D748,538	S *	2/2016	Waldner	D12/162
D759,336	S *	6/2016	Piispanen	D34/33
2008/0219828	A1 *	9/2008	Schuettenberg	B60D 1/00 414/800
2009/0139801	A1 *	6/2009	Friesen	B66F 9/12 187/237

* cited by examiner

Primary Examiner — Cynthia Ramirez

(74) *Attorney, Agent, or Firm* — Gerald R. Black, Esq.

(57) **CLAIM**

The ornamental design for a stanchion for vehicle loading, as shown and described.

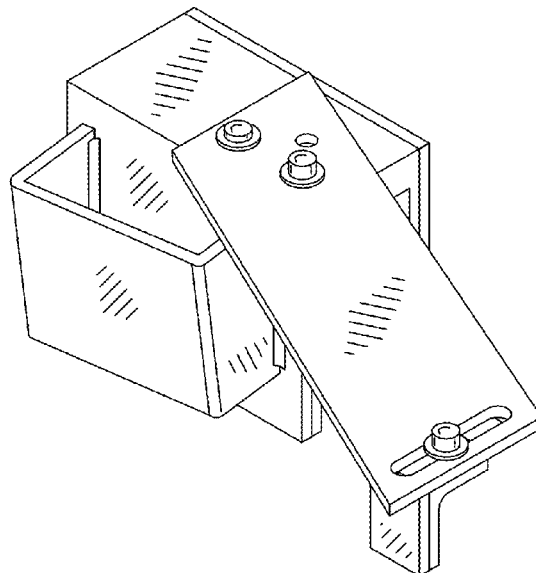
DESCRIPTION

This application is related to and claims priority to U.S. patent application Ser. No. 12/653,610, entitled "Vehicle Loading Apparatus" (Donohue) filed on Oct. 16, 2009; and U.S. patent application Ser. No. 13/573,886, entitled "Vehicle Loading Apparatus" (Donohue) filed on Oct. 12, 2012.

FIG. 1 is a perspective view of a stanchion for vehicle loading showing my new design; FIG. 2 is an illustrative perspective view thereof; FIG. 3 is a rear view thereof; FIG. 4 is a top view thereof; FIG. 5 is a left view thereof; FIG. 6 is a front view thereof; FIG. 7 is a right view thereof; and, FIG. 8 is a bottom view thereof.

The broken line showing in FIG. 2 is included for the purpose of illustrating environment and forms no part of the claimed design.

1 Claim, 8 Drawing Sheets



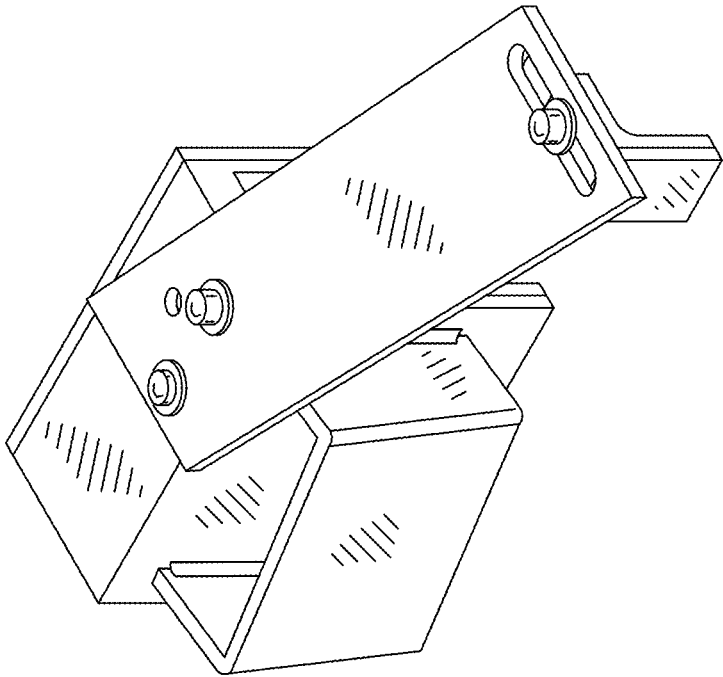


FIGURE 1

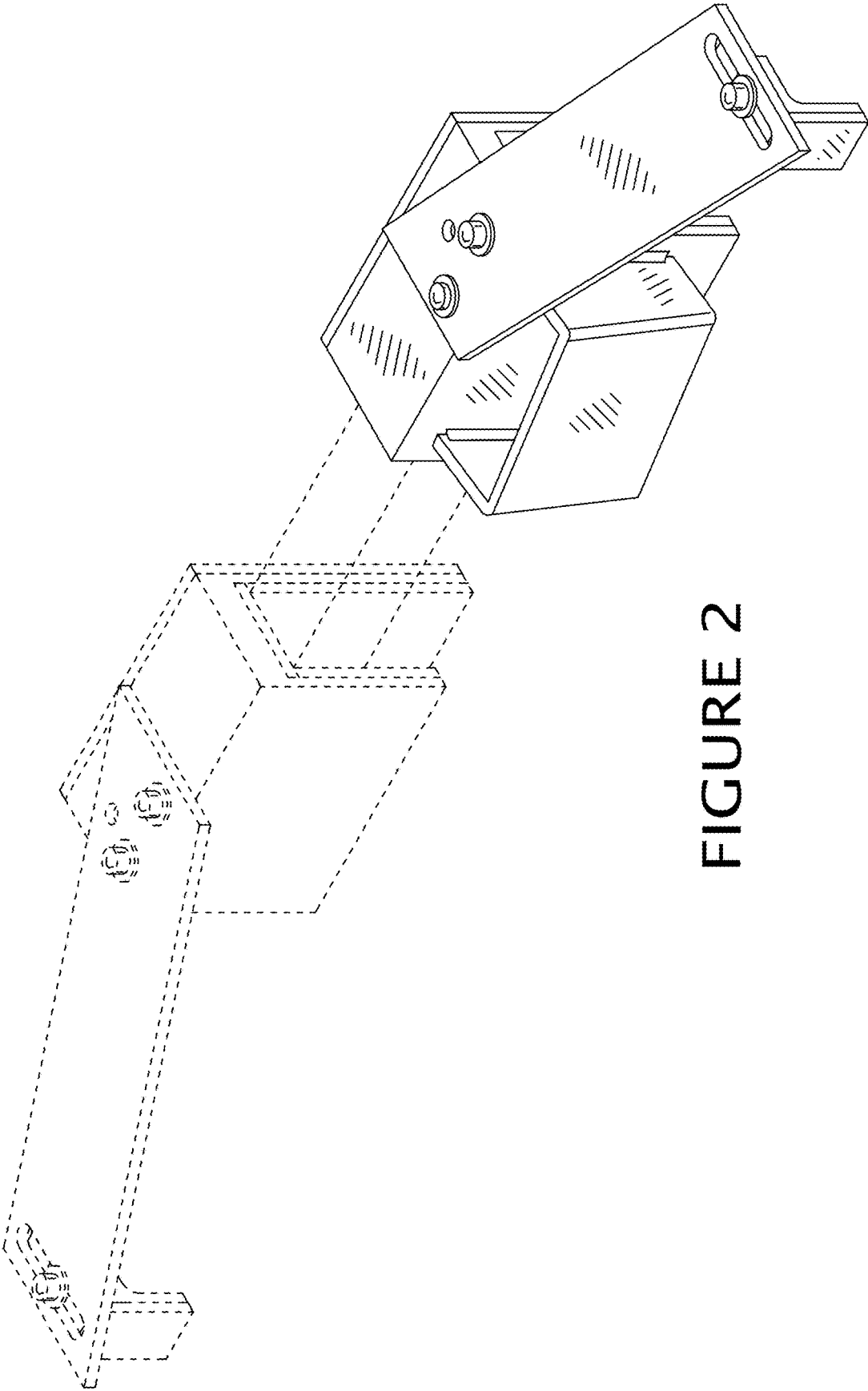


FIGURE 2

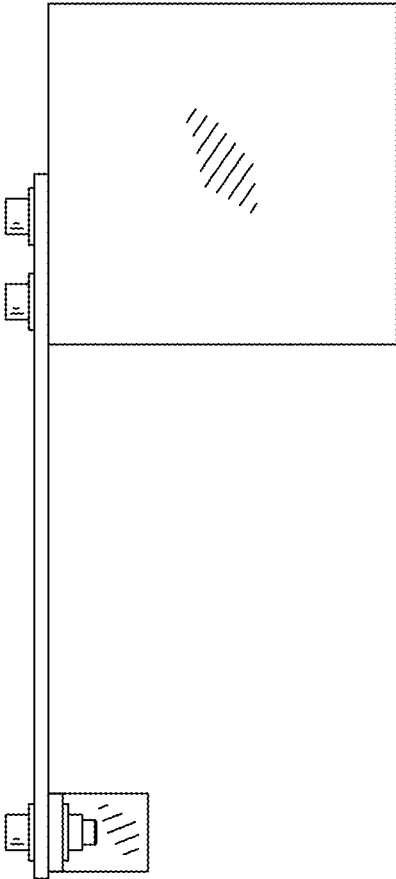


FIGURE 3

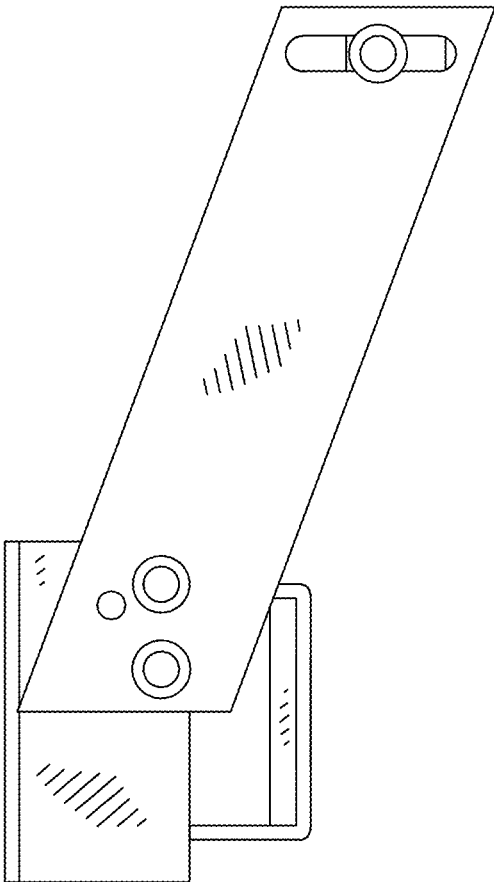


FIGURE 4

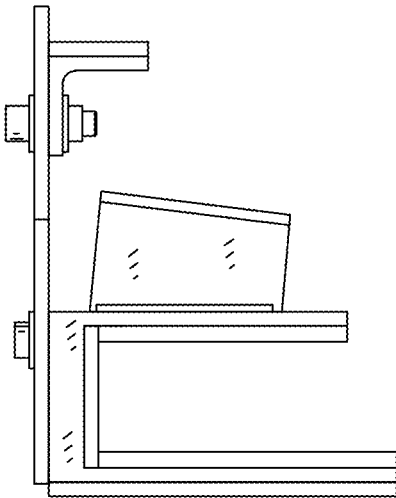


FIGURE 5

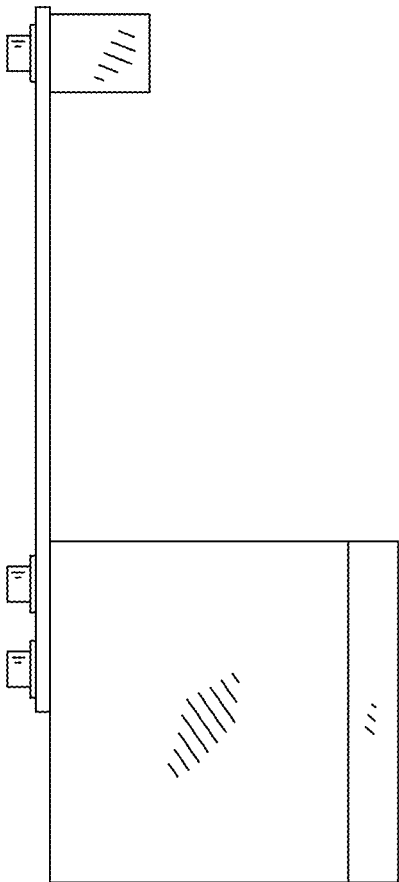


FIGURE 6

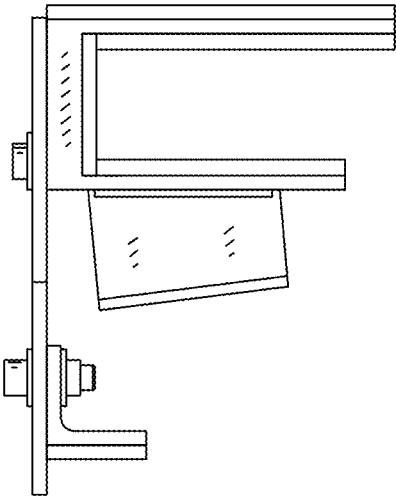


FIGURE 7

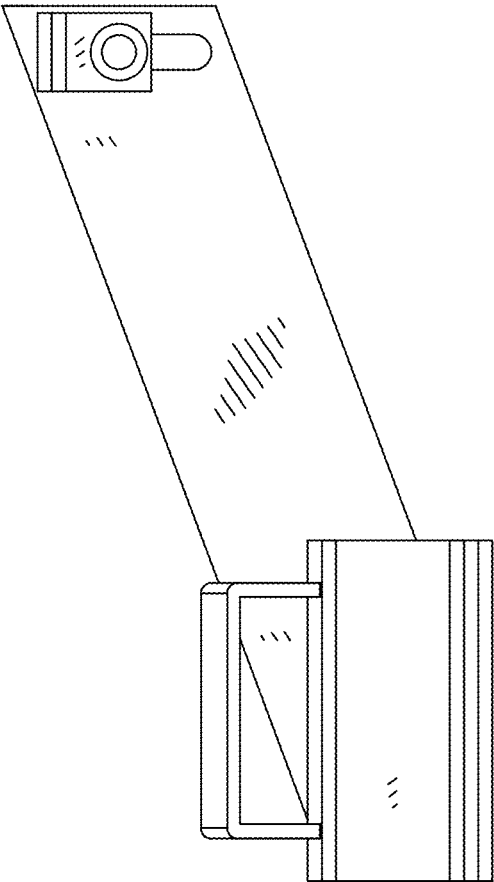


FIGURE 8